

Application range

Inner diameter:
40 mm


Frequency range:
100 - 4950 Hz

Inner diameter:
100 mm

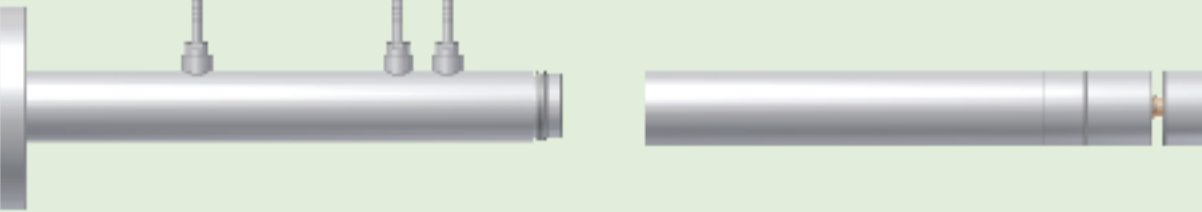
Frequency range:
50 - 1900 Hz

Further available
diameter:
30 mm 15 mm

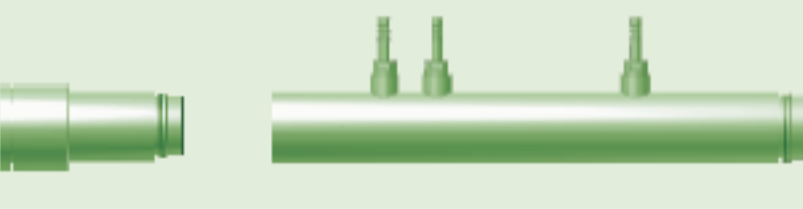
Components



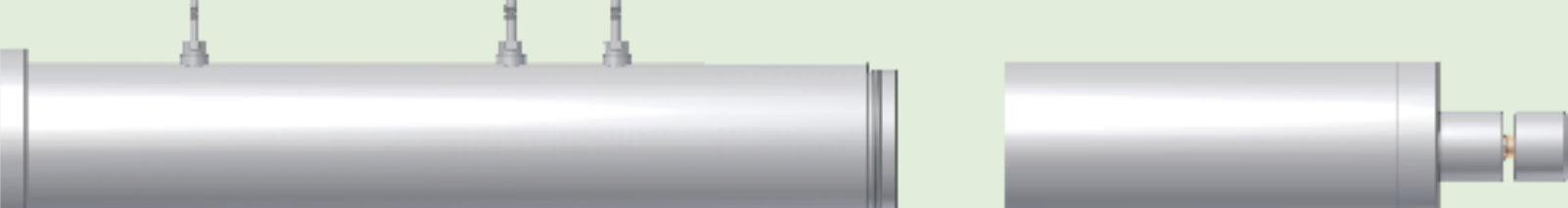
1000.01



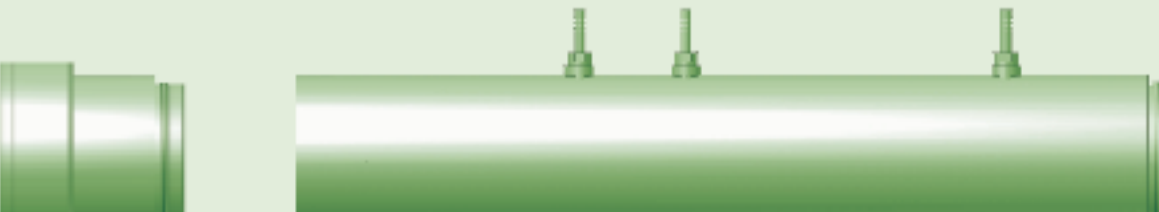
1000.02.01



1200.01.01



1000.02.02



1200.01.02

AED 1000 - Sound absorption

Analysis software:

- AED 1001

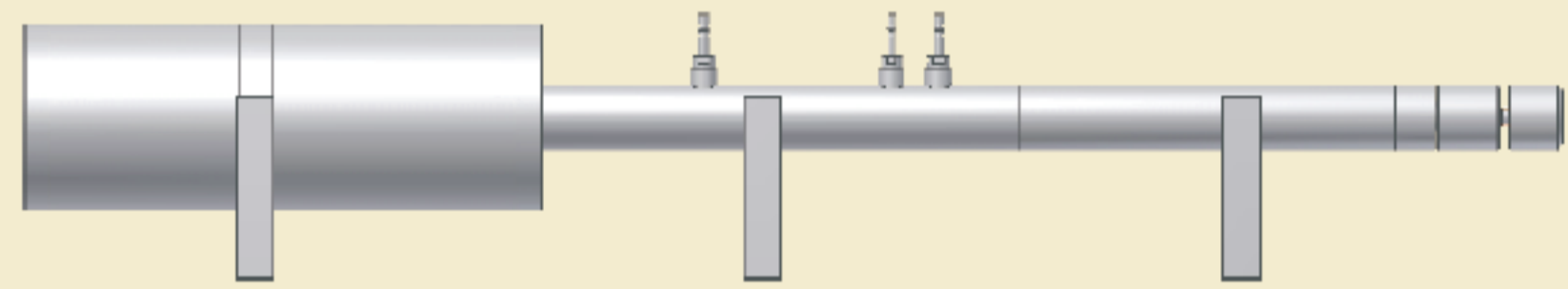
Determination of:

- sound absorption coefficient
- complex sound reflection factor
- complex impedance ratio

according to DIN EN ISO 10534-2

Options:

- database



AED 1200 - Sound insulation

Analysis software:

- AED 1401

Determination of:

- transmission loss (sound insulation)
- complex wave number
- complex impedance

according to two-load method

